

NOVA Wood multipurpose tables



FEATURES

- Easy to assemble and disassemble - “metal to metal” construction;
- Three different heights of tabletop: 740 mm, 900 mm, 1050 mm;
- Six types of accessories are available for all tables.

QUALITY STANDARD

- EN 1730:2012
- EN 15372:2016

TECHNICAL INFORMATION

Tabletops

- 1,5 mm gap between the legs and the desktop.

MFC (melamine)

- 25 mm with 2 mm ABS edging;
- The corners of desktop are rounded: R2 mm.

MDF covered in HPL

- 26 mm MDF covered in HPL with sloping painted edges;
- Sloping painted edges: white or black colour;
- The corners of desktop are rounded: R10 mm.

Metal beam

- Metal tube;
- With welded metal plates for leg fixing;
- Powder coated metal.

Legs and central leg

- Lacquered and stained natural ash solid wood;
- Glued wood construction;
- With metal inserts for fixing;
- Plastic feet with height levelling (+10 mm).

Edge type

- ABS edge (melamine)
- Sloping edge (HPL)

Accessories (optional)

Top and bottom side shelves

- Powder coated metal;
- Different shelves are designed for two heights: 1100 mm; 1456 mm (from the ground);
- Can be easily removed or placed on different leg without any tools;
- Max load capacity: 10 kg per shelf.

Planter box

- Powder coated metal;
- Can be easily removed or placed to a different position without any tools;
- Hang only on the top table crossbar;
- Not suitable for direct planting;
- Max load capacity: 10 kg per box.

Cable tray (optional)

- Dimensions: 480x367, H=68 mm;
- Matches the colour of frame;
- Powder coated metal.

Castors

- Four swivel castors, Ø100 mm;
- With wheel brakes;
- Rotate in all directions;
- Max load capacity: 100 kg per castor.
- Make sure that before relocating your table with castors, all electrical components are disconnected from the main power source and stacked into a cable tray.

VESA Holder

- Powder coated metal;
- Suitable for TV and whiteboard;
- Can be easily removed or placed on different leg without any tools;
- Can be placed only in one height: 1373 mm (from the ground);
- VESA standard – 100x100 mm;
- VESA plate is made of 3 mm metal sheet (325x325 mm);
- Screen spacers is made of 40x20x2 mm tube;
- Recommended screen up to 42", weight up to 15 kg;
- Screws for screen fixing to VESA plate are NOT INCLUDED.

Whiteboard

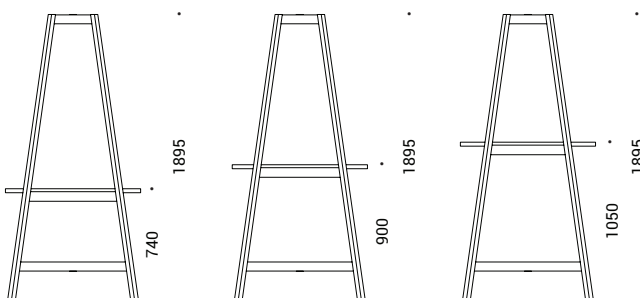
- 14 mm MDF covered in HPL with sloping painted edges;
- Can be easily removed or placed on different sides of legs.

Hook

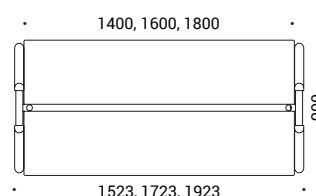
- Powder coated metal;
- Hang only on the top table crossbar;
- Max load capacity: 3 kg per hook.

RANGE

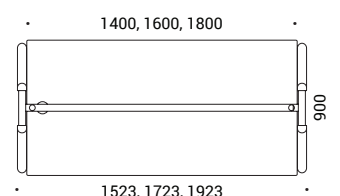
Multipurpose tables



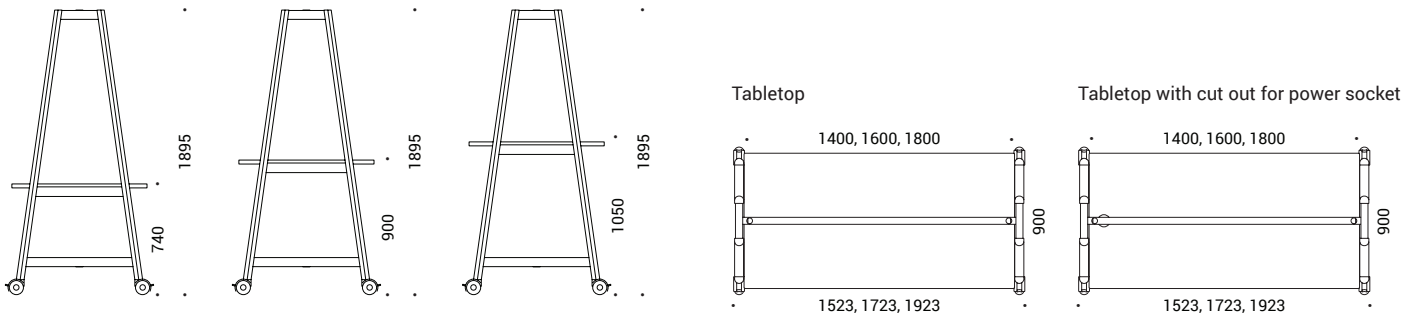
Tabletop



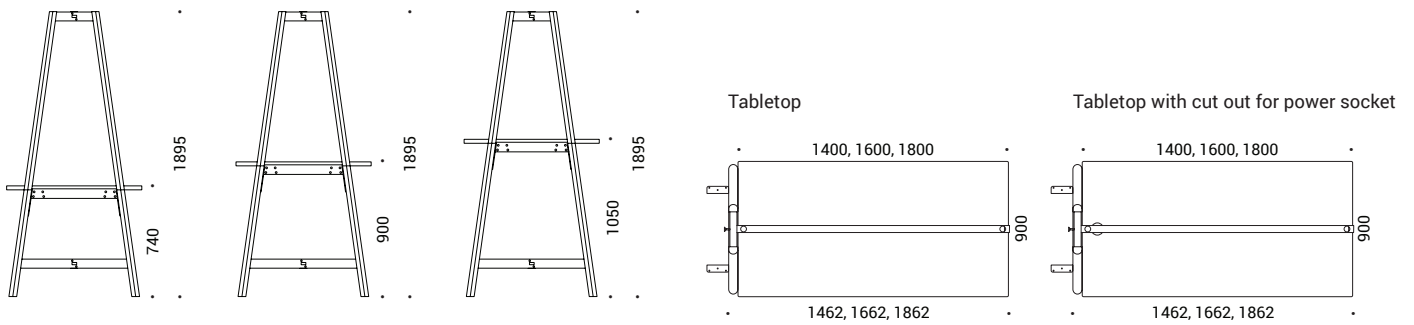
Tabletop with cut out for power socket



Multipurpose tables with castors



Multipurpose table extensions (not possible with castors)



Optional



AC power sockets



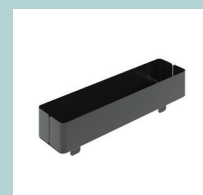
Power socket block



Cable tray



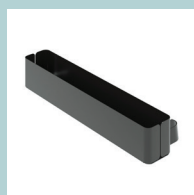
Cable ducts



Planter box



Top side shelves*



Bottom side shelves*



VESA holder



Whiteboard



Hook

* Two different heights of shelves are available: 50 mm, 100 mm

ADDITIONAL INFORMATION

- If you want to increase the number of workplaces, you can use max 2 supplementary units in one combination.



- It is possible to hang two shelves and holder on the same table leg and on different sides of legs.



- Table extension is possible only with tables of the same height.

- Easy way to place and remove shelves and holder.



- For more information about electrical components installation, please see cable management guidelines.