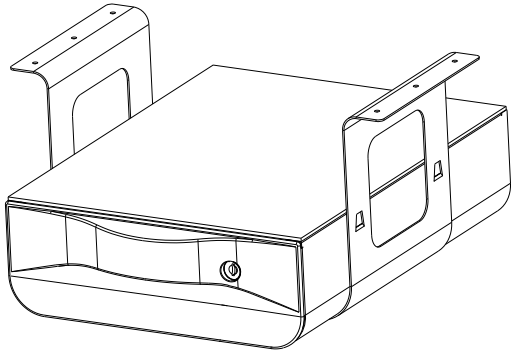
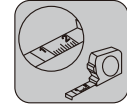
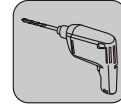
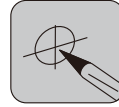
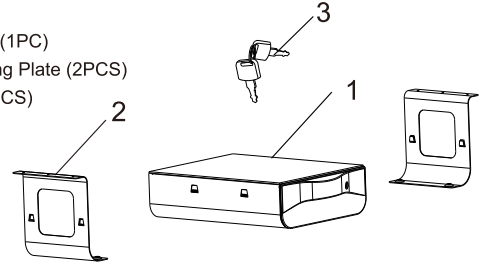


Item No.: 18.LAD.001
Locking Under-Desk Drawer
Installation guide



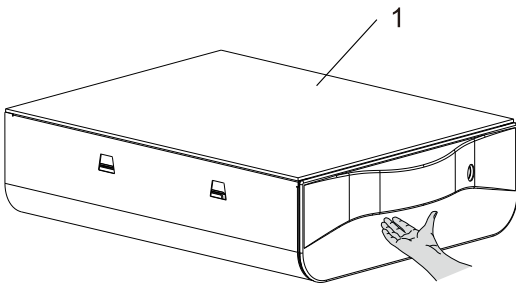
- ST4.2*16MM A(6PCS)
- M5X10MM B(4PCS)
- Screwdriver C(1PC)

1. Drawer (1PC)
2. Retaining Plate (2PCS)
3. Key (2PCS)

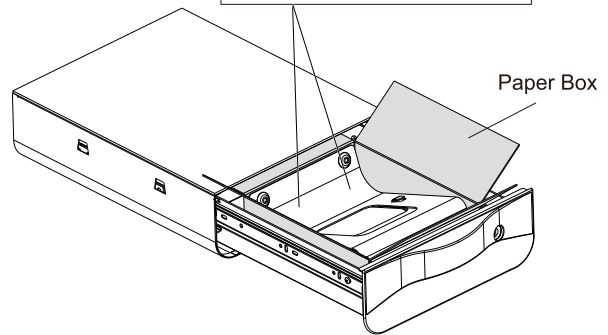
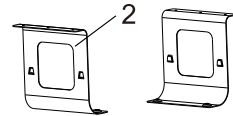


STEP 1

Open the drawer and then take out retaining plates

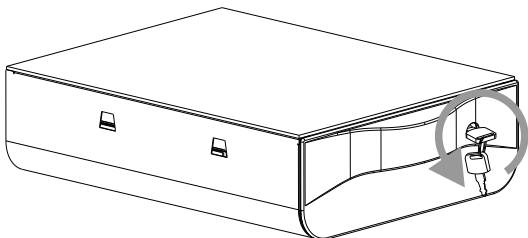


Retaining Plate X2

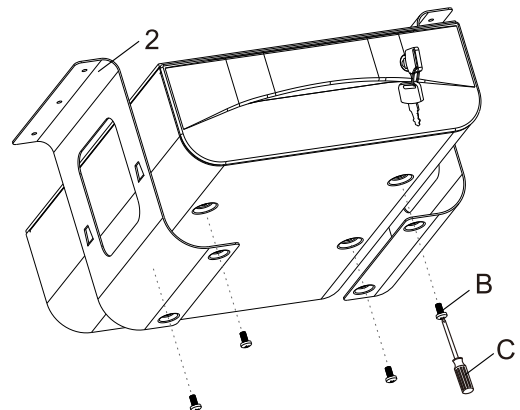


STEP 2

Fix the Retaining Plates



Close the drawer and then rotate the key 90 degree counterclockwise to lock the drawer.



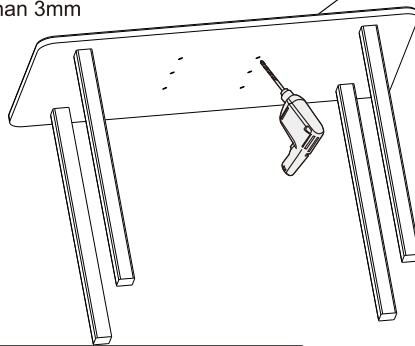
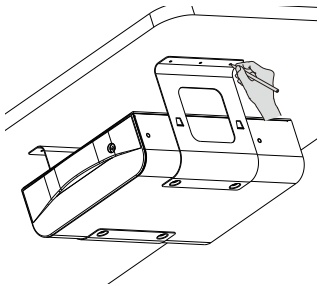
STEP 3

Install the Drawer onto Height Adjustable Desk

1. Mark punch position on the tabletop

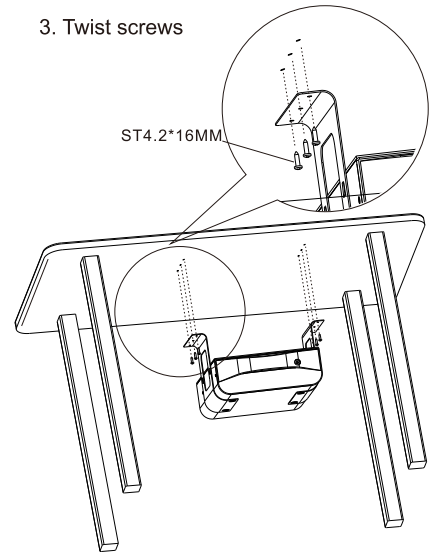
2. Drill holes using pistol drill and ensure the hole diameter no more than 3mm

Desk



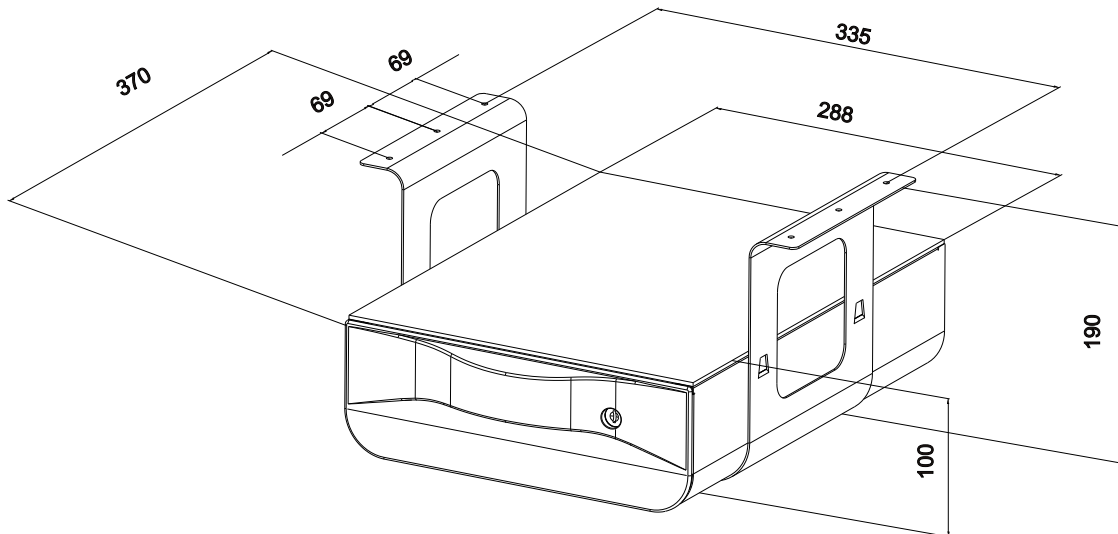
3. Twist screws

ST4.2*16MM



Caution! This step need the cooperation of two people: one hold the drawer, the other mark punch positions and drill holes.

Specifications



CAUTION

This product contains some small parts, which if swallowed, there will be a risk of suffocation. Please keep these small parts away from children

- Make sure you have read the instructions before installation and fully understand how to install. If you do not understand any of the installation steps, please contact a professional installer.
- When installing, please be sure to wear safety clothes and use matching tools. At least two people are needed to complete the installation. Not wearing safety clothes may cause human damage, serious injury or death.

Note: this product is for indoor use only. It may cause product damage or personal injury if used outdoors.